

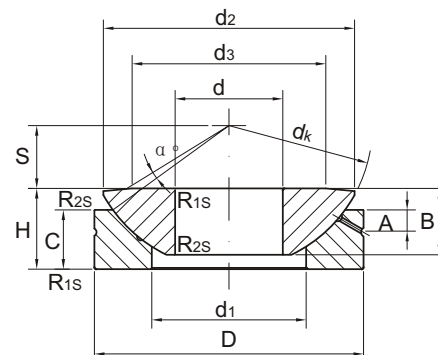
# Spherical plain thrust bearings GE..AX



## 推力关节轴承

### □ Maintenance required 需润滑

- Lubricating groove and holes in outer ring.
- Both outer and inner rings are properly phosphate treated.
- 外圈有润滑油槽和油孔。
- 内外圈表面磷化处理。



Part No. 型号	Dimensions 尺寸mm														Load ratings 负荷KN		Weight 重量Kg
	d	D	H	dk	d1	d2	D3	B	C	S	A	R1s min	R2s min	α	dyn. 动 Cd	stat. 静 Cs	
GE 10 AX	10	30	9.5	32	16.5	27.5	21	7.9	6	7	3	0.6	0.2	10	24	120	0.04
GE 12 AX	12	35	13	37	19.5	32	24	9.3	9	8	4	0.6	0.2	9	32.5	163	0.07
GE 15 AX	15	42	15	45	24	38.9	29	10.7	11	10	5	0.6	0.2	7	52	260	0.12
GE 17 AX	17	47	16	50	28	43.4	34	11.5	11.5	11	5	0.6	0.15	6	58.5	300	0.16
GE 20 AX	20	55	20	60	33.5	50	40	14.3	13	12.5	6	1.0	0.3	6	75	375	0.25
GE 25 AX	25	62	22.5	66	34.5	57.5	45	16	17	14	6	1.0	0.3	7	129	640	0.38
GE 30 AX	30	75	26	80	44	69	56	18	19.5	17.5	8	1.0	0.3	6	170	850	0.65
GE 35 AX	35	90	28	98	52	84	66	22	20	22	8	1.0	0.3	6	260	1290	1.0
GE 40 AX	40	105	32	114	59	98	78	27	22	24.5	9	1.0	0.3	6	375	1860	1.6
GE 45 AX	45	120	36.5	130	68	112	89	31	25	27.5	11	1.0	0.3	6	490	2450	2.4
GE 50 AX	50	130	42.5	140	69	122.5	98	33.5	32	30	10	1.0	0.3	5	655	3250	3.3
GE 60 AX	60	150	45	160	86	140	108	37	33	35	12.5	1.0	0.3	7	735	3650	4.5
GE 70 AX	70	160	50	170	95	149.5	121	40	36	35	13.5	1.0	0.3	6	800	4050	5.5
GE 80 AX	80	180	50	194	108	168	130	42	36	42.5	14.5	1.0	0.3	6	1040	5200	7.0
GE 100 AX	100	210	59	220	133	195.5	155	50	42	45	15	1.0	0.3	7	1200	6000	10.5
GE 120 AX	120	230	64	245	154	214	170	52	45	52.5	16.5	1.0	0.3	8	1250	6200	13.0
GE 140 AX	140	260	72	272	176	244	198	61	50	52.5	23	1.5	0.6	6	1630	8150	18.0
GE 160 AX	160	290	77	310	199	272	213	65	52	65	23	1.5	0.6	7	1900	9500	23.0
GE 180 AX	180	320	86	335	224	300	240	70	60	67.5	26	1.5	0.6	8	2120	10600	31.0
GE 200 AX	200	340	87	358	246	321	265	74	60	70	27	1.5	0.6	8	2360	11800	34.0